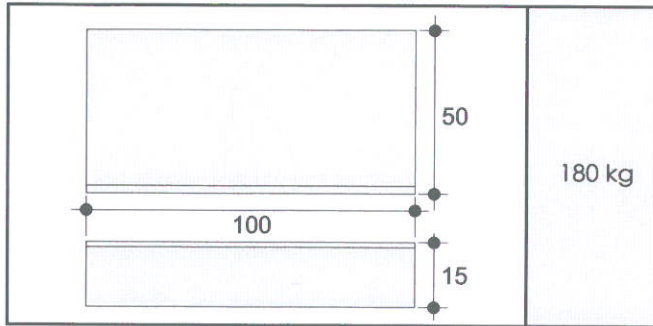


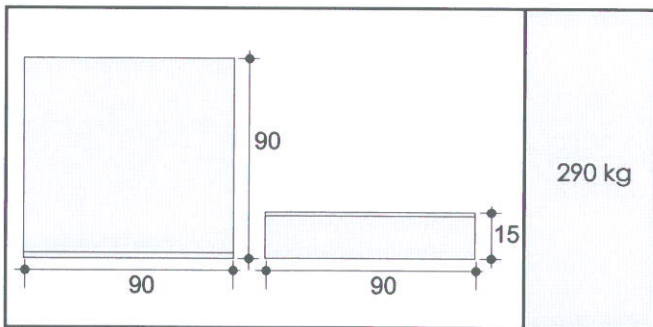
STAIRS

TYPE 12.0



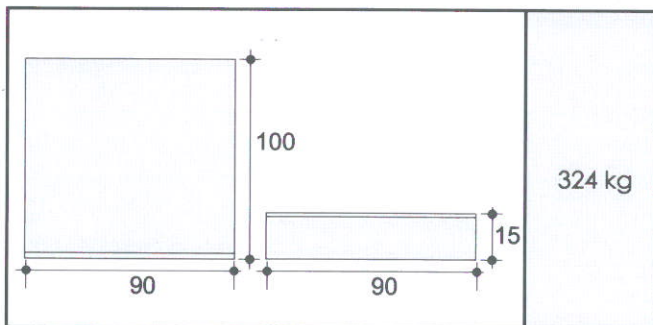
100/50/15 cm with scythed side 1/1 in the front

TYPE 14.0



90/90/15 cm with scythed side 1/1 in the front

TYPE 15.0

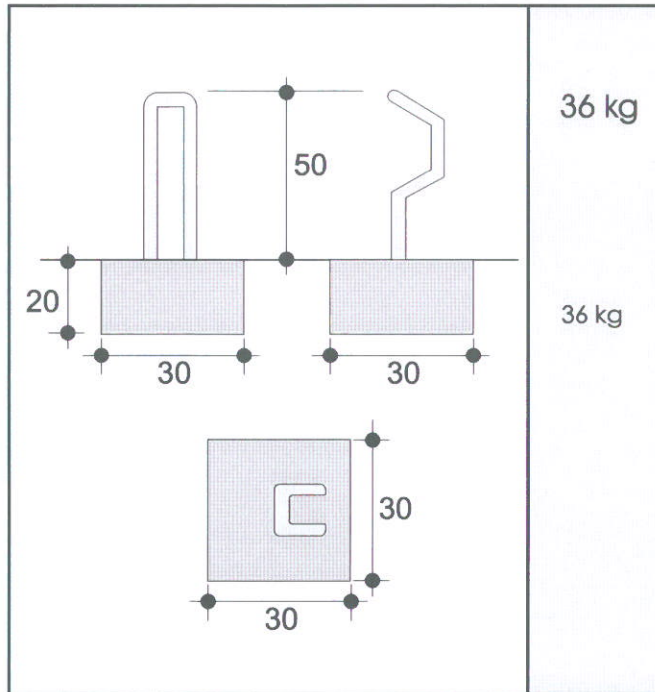


100/90/15 cm with scythed side 1/1 in the front



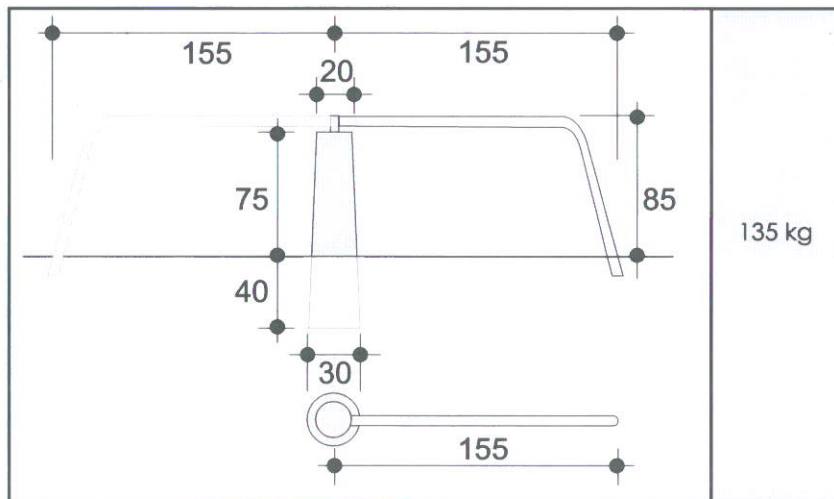
BICYCLE STANDS/ RACKS

TYPE 1.0



30/30/20 with brace in galvanized steel

TYPE 2.0



Dia 30-20 cm H 115 cm with one to six braces

