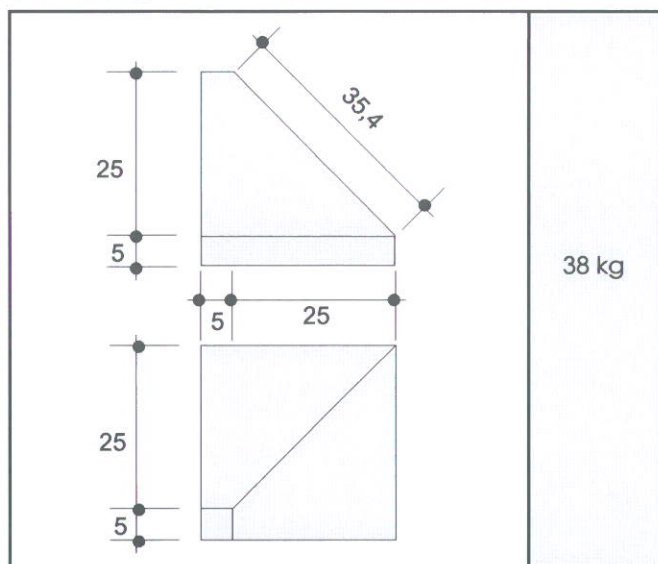


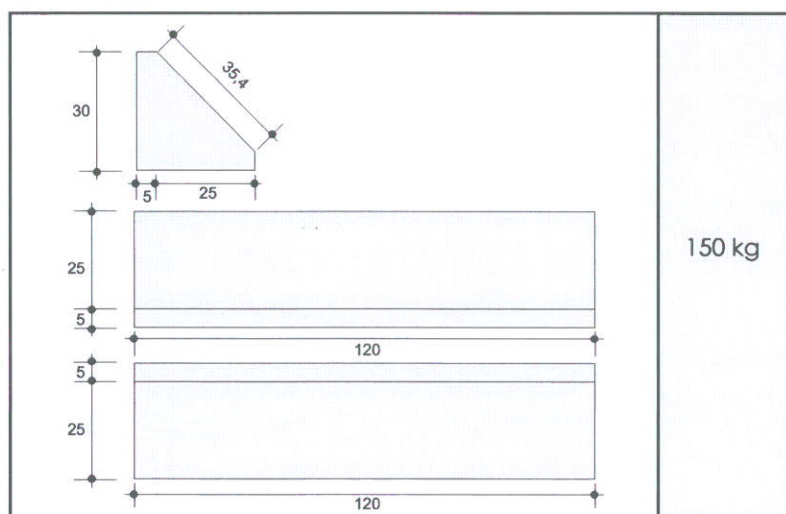
KERBSTONE

TYPE 1.0



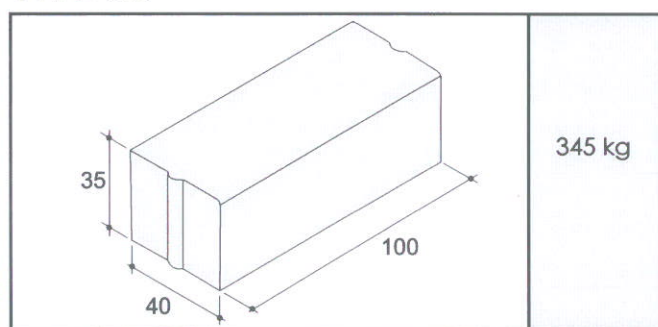
Corner element 30/30 cm - H 30 cm

TYPE 2.0

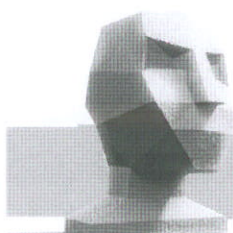


30/100 cm - H 30 cm

TYPE 3.0

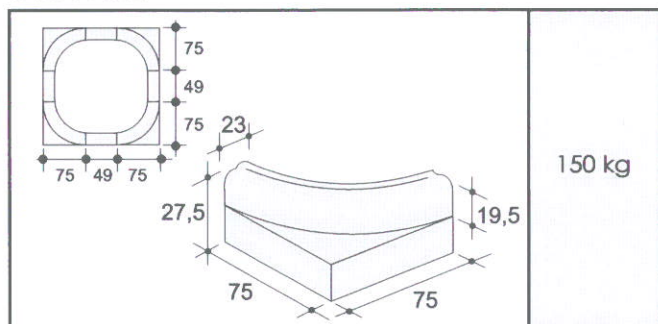


40/100cm - H 35 cm - special parts on demand



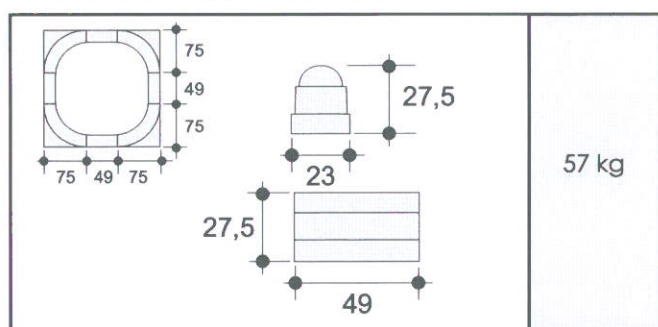
TREE GIRDLES

TYPE 1.0



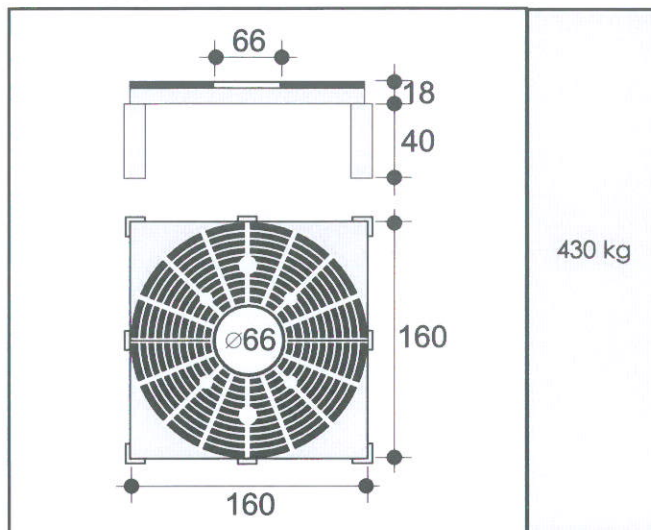
75/75 cm - thickness 27,5 cm

TYPE 1.0 - Tussenstuk



49/23 cm - thickness 27,5 cm

TYPE 3.0



160/160 cm - thickness 18 cm - load up to 1 ton

